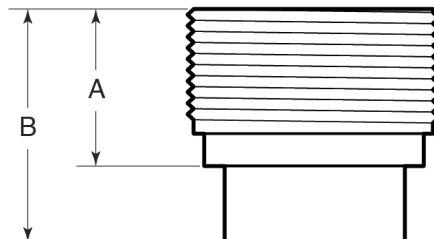
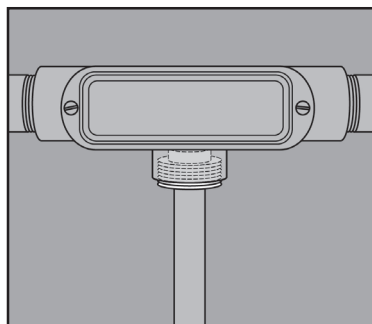


STAINLESS STEEL FACE REDUCING BUSHINGS



APPLICATION

- Provide a means of connecting a smaller size of conduit to a larger conduit fitting port without hex head component
- Provide aesthetically seamless connection
- Threaded male to female
- Manufactured in stainless steel to help prevent corrosion
- Can be installed using ordinary hand tools and require little maintenance or repair
- Provided in a bright, polished finish that does not require touch up or painting



PRODUCT DETAILS

Material:
316 SS

Standards:
ASTM A276

Country of Origin:
100% Made in USA

Part Number	Size	Weight/ 100 (lbs.)	----Dimensions (In.)----	
			A	B
7500FB	¾ x ½ in.	7	0.69	1.00
7500FB	1 x ½ in.	20	0.75	1.13
7500FB	1 x ¾ in.	12	0.75	1.13
7500FB	1-¼ x ½ in.	42	0.88	1.13
7500FB	1-¼ x ¾ in.	34	0.88	1.13
7500FB	1-¼ x 1 in.	20	0.88	1.13
7500FB	1-½ x ½ in.	59	0.88	1.13
7500FB	1-½ x ¾ in.	50	0.88	1.13
7500FB	1-½ x 1 in.	37	0.88	1.13
7500FB	1-½ x 1-¼ in.	15	0.88	1.13
7500FB	2 x ½ in.	103	0.88	1.13
7500FB	2 x ¾ in.	95	0.88	1.13
7500FB	2 x 1 in.	82	0.88	1.13
7500FB	2 x 1-¼ in.	59	0.88	1.13
7500FB	2 x 1-½ in.	40	0.88	1.13

